

ASSEMBLY INSTRUCTIONS MADISON 4 DRAWER BED STANDARD DOUBLE

Before you begin, please follow assembly instructions carefully, then follow them step by step.

Reminder: Read instruction carefully . See Furniture Parts list and Hardware List for guidance . Be sure you have all parts before you start assembling . Place and assemble furniture on a clean flat soft surface , such as carpet or rug to prevent being scratched .

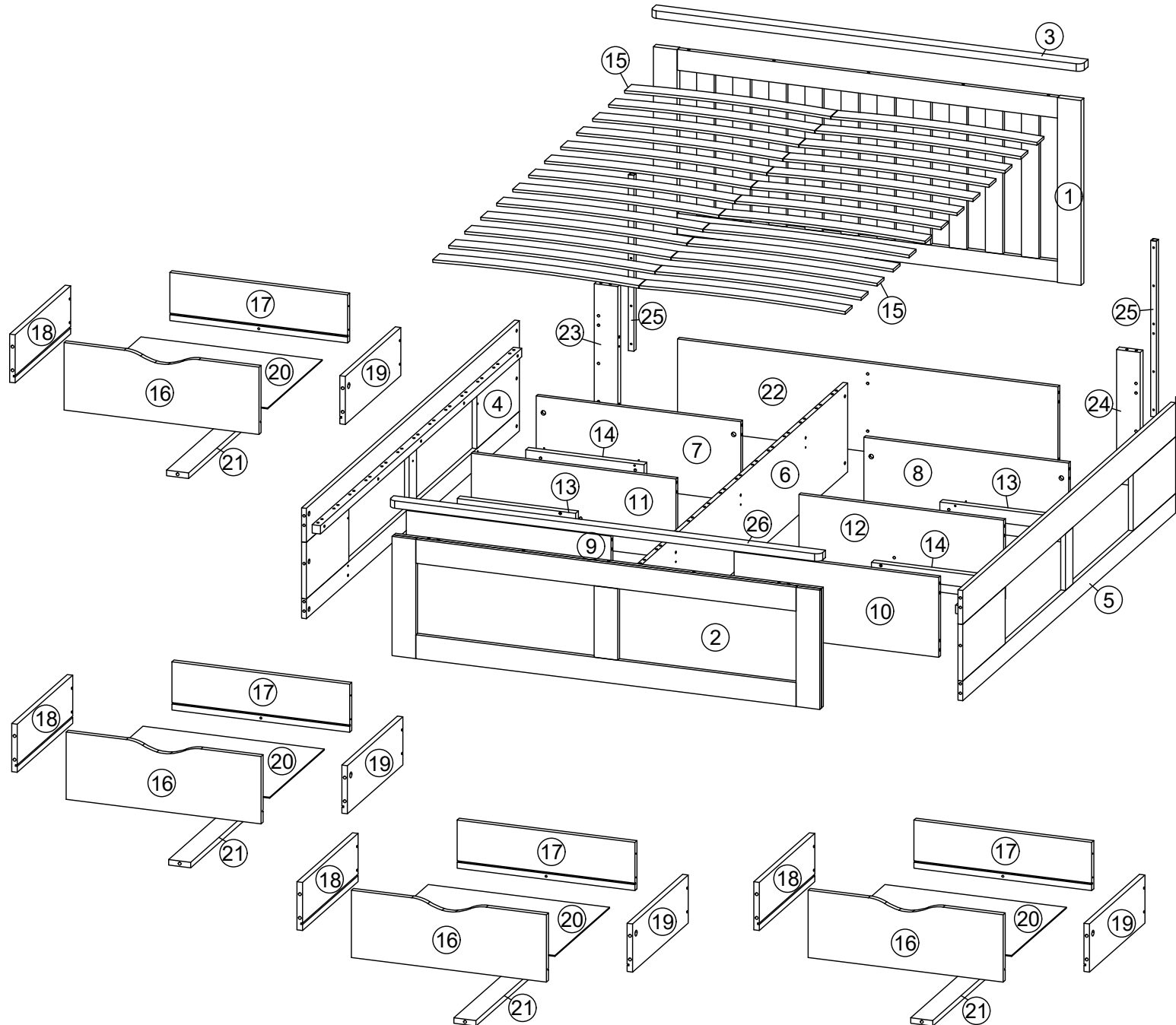
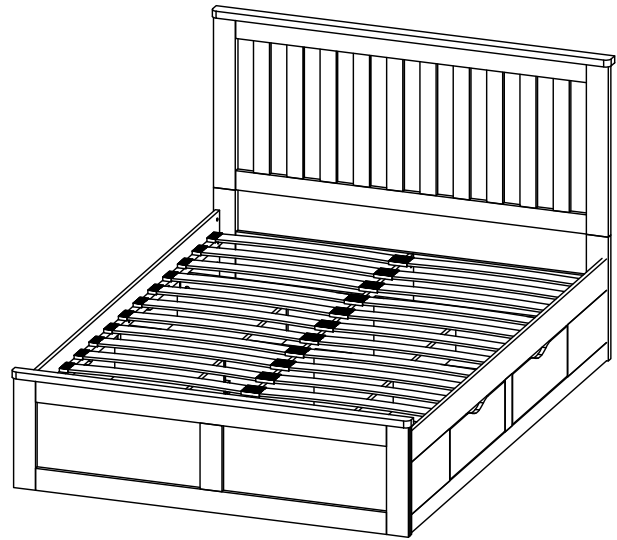
Please ensure that all surfaces and edges with colours/laminations are facing forward/outward.

SELF-PREPARED TOOLS: Tools below are NOT included in package.

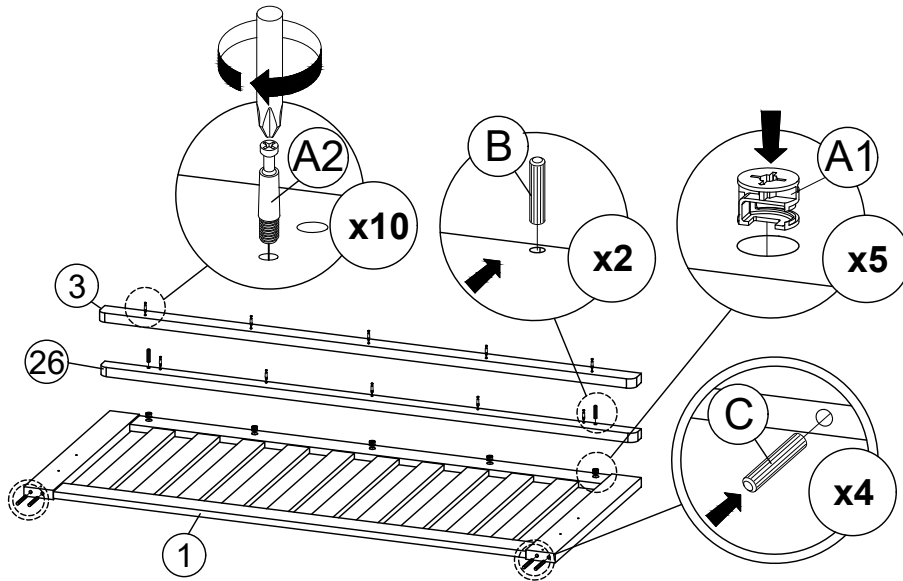


HARDWARE

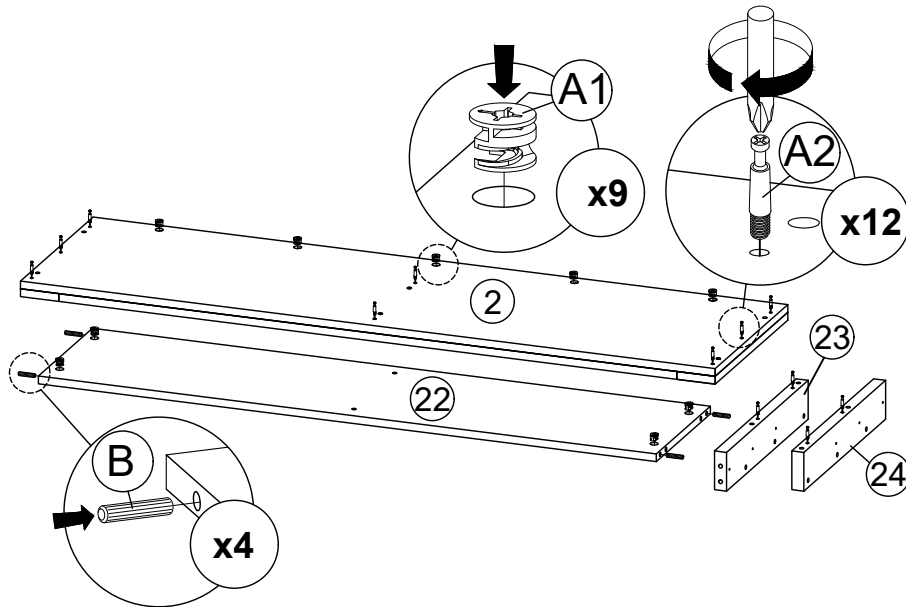
A	MINI FIX	A1 A2 A3	62 SETS
B	M8 X 30MM WOOD DOWEL		50 PCS
C	M8 X 40MM WOOD DOWEL		8 PCS
D	ALLEN KEY M4		1 PC
E	M3.5 X 16MM C.B SCREW		48 PCS
F	M4 X 38MM C.B SCREW		36 PCS
G	JCBC SCREW M6 X 50MM		2 PCS
H	JCBC SCREW M6 X 60MM		6 PCS
I	JRN NUT		8 PCS
J	PLASTIC CAP - SINGLE		26 PCS
K	PLASTIC CAP - DOUBLE		13 PCS
L	16" DRAWER SLIDE	L1 (L/R) L2 (L/R)	4 SETS



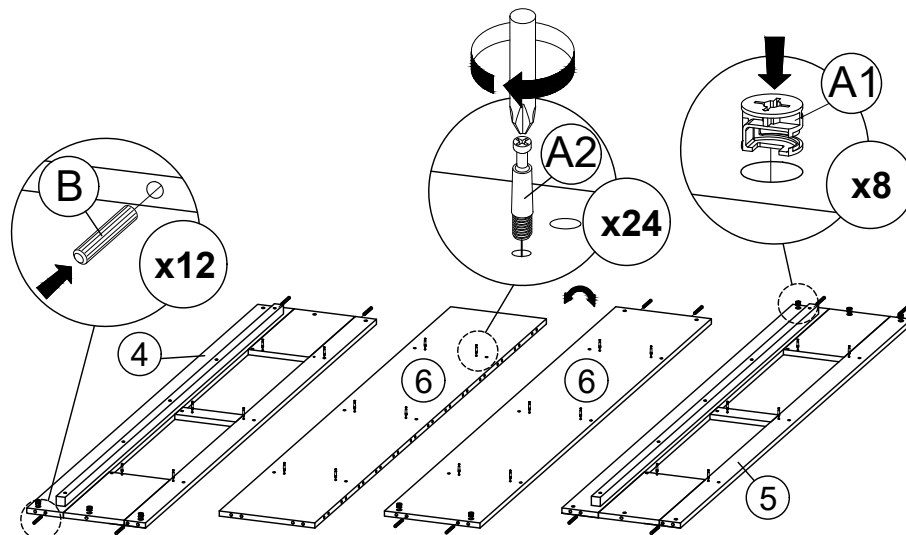
STEP 1



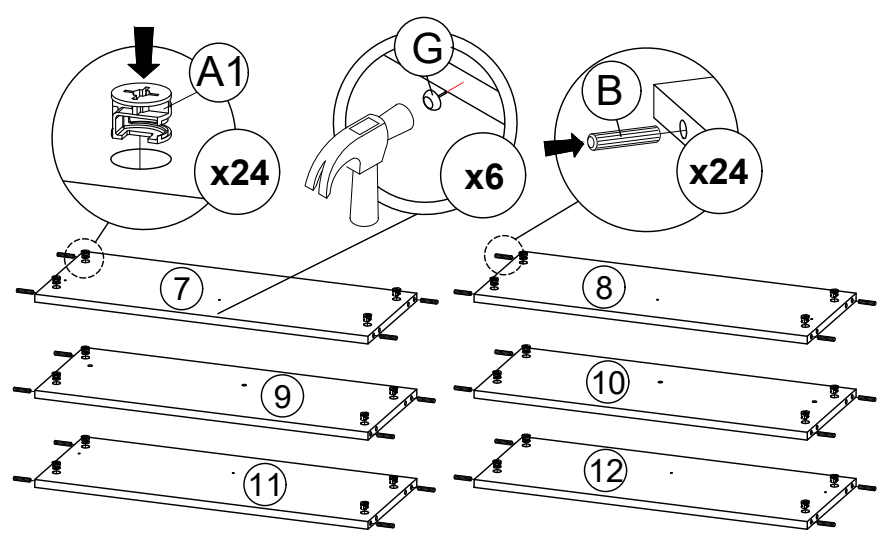
STEP 2



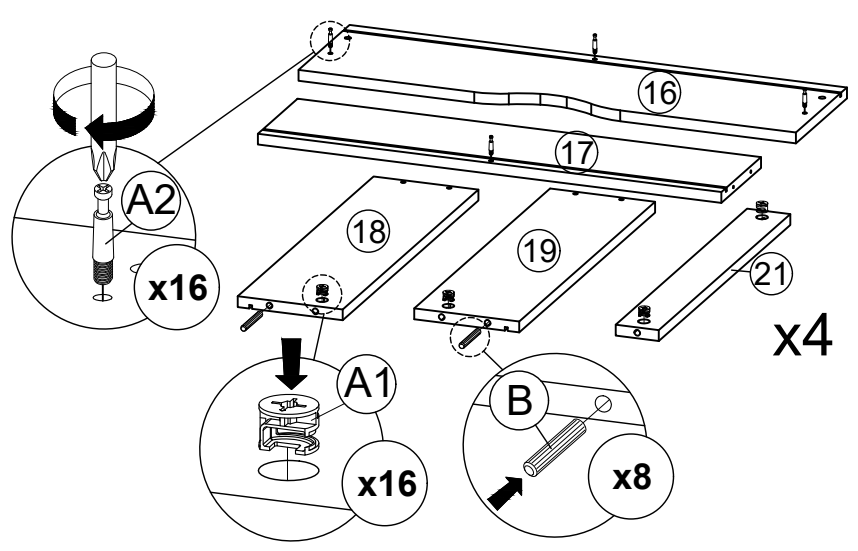
STEP 3



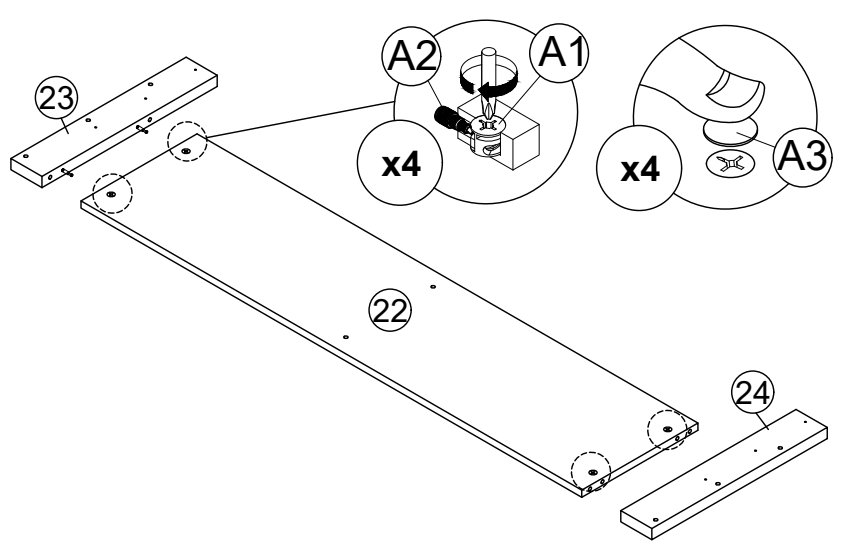
STEP 4



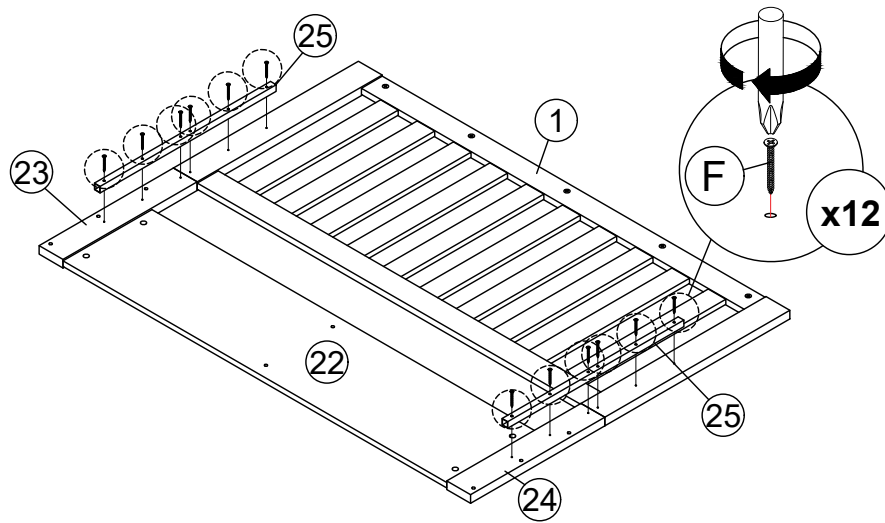
STEP 5



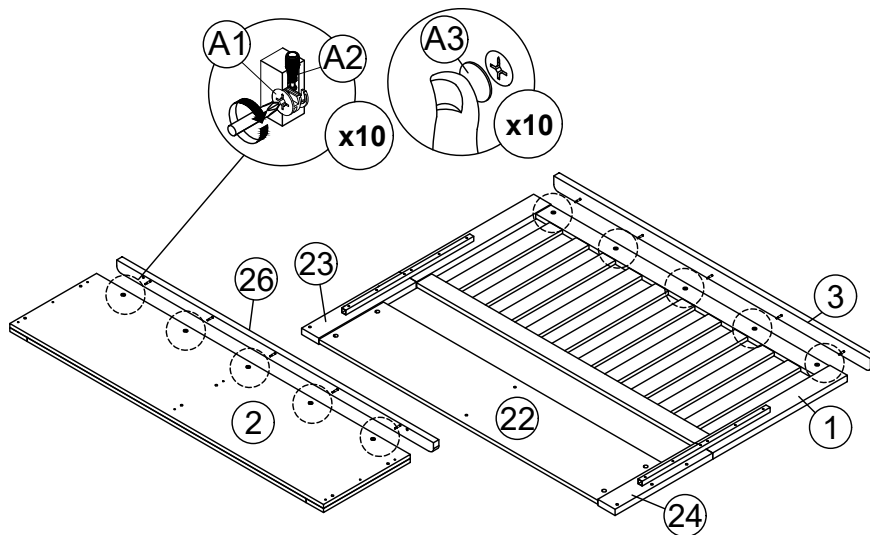
STEP 6



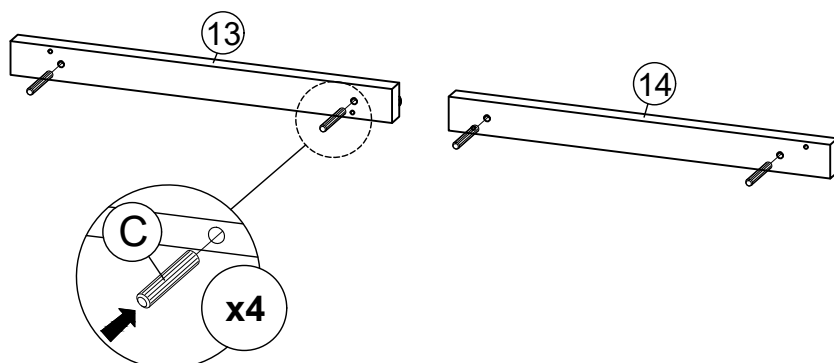
STEP 7



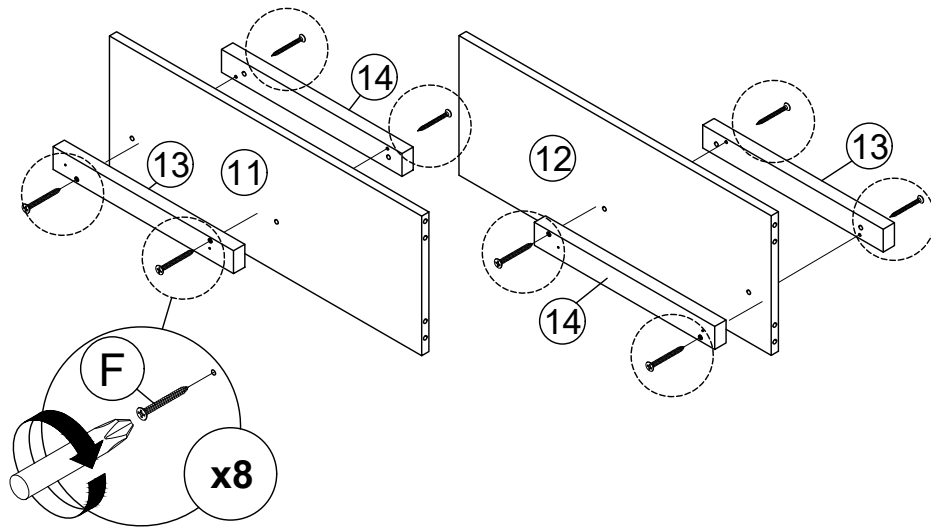
STEP 8



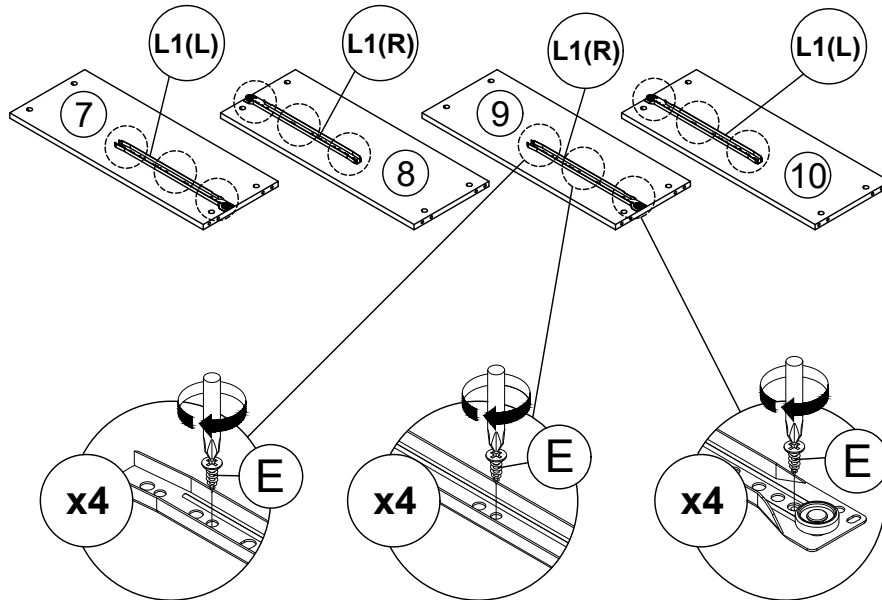
STEP 9



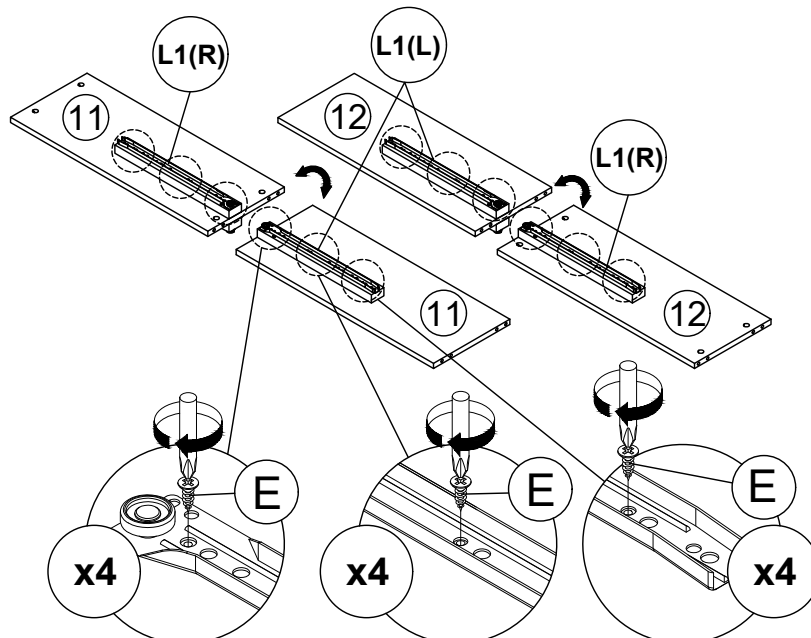
STEP 10



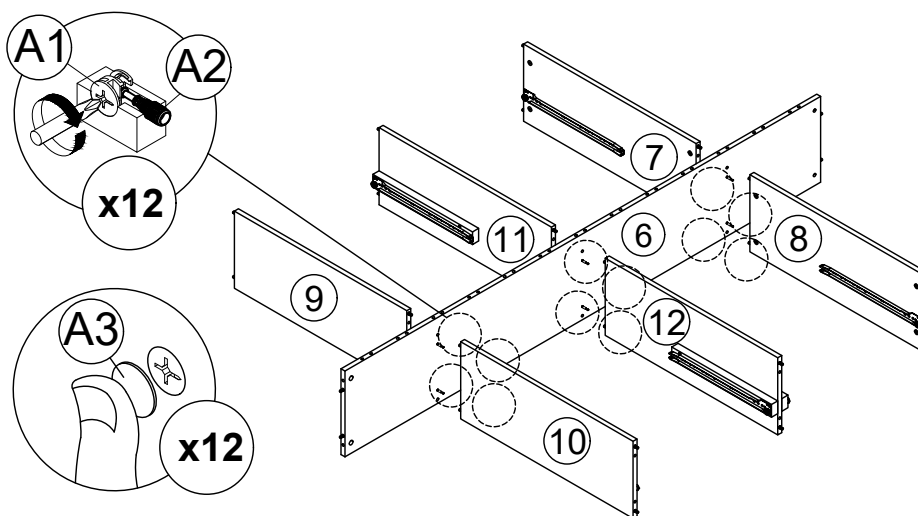
STEP 11



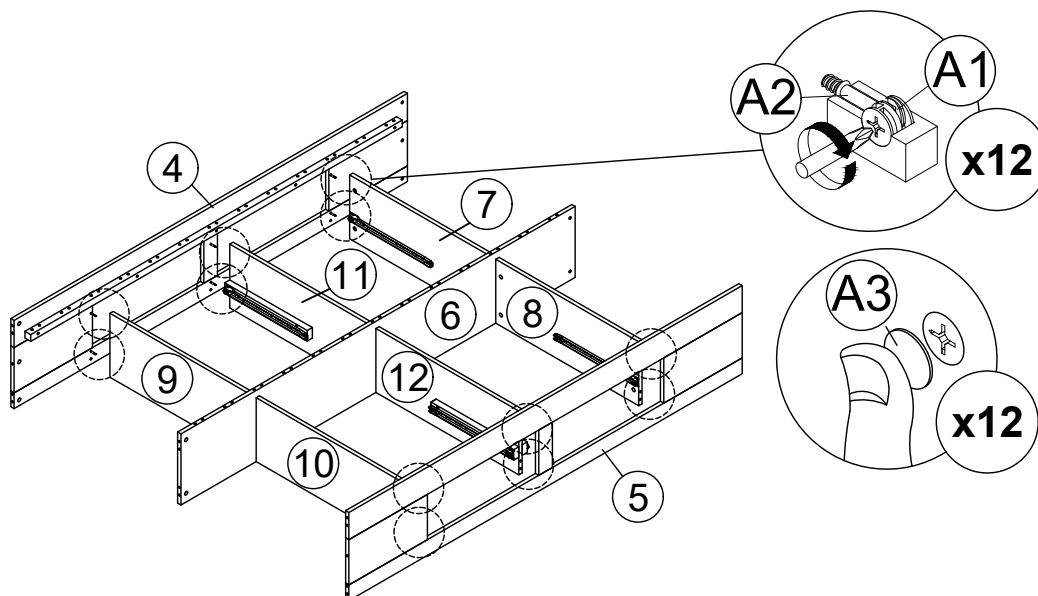
STEP 12



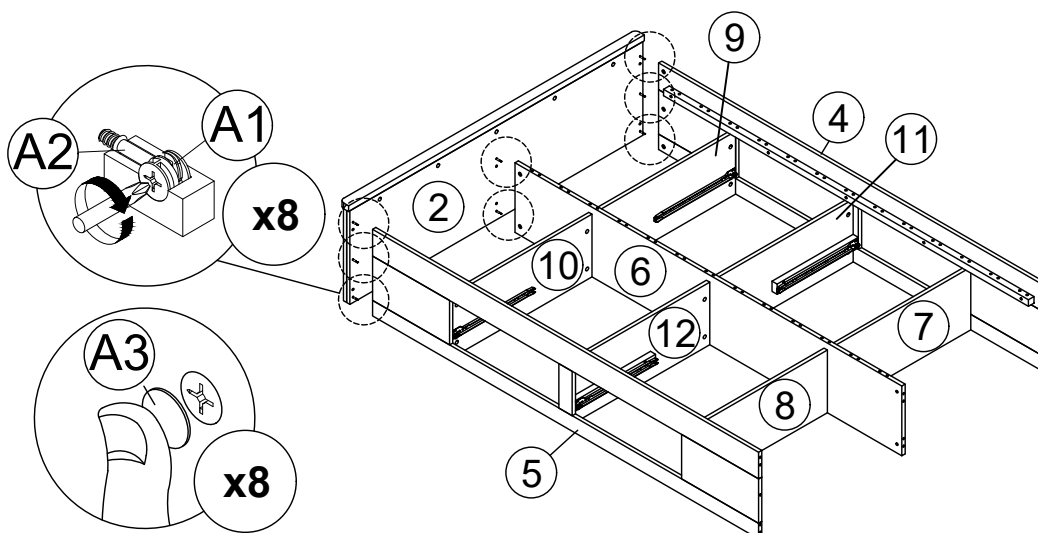
STEP 13



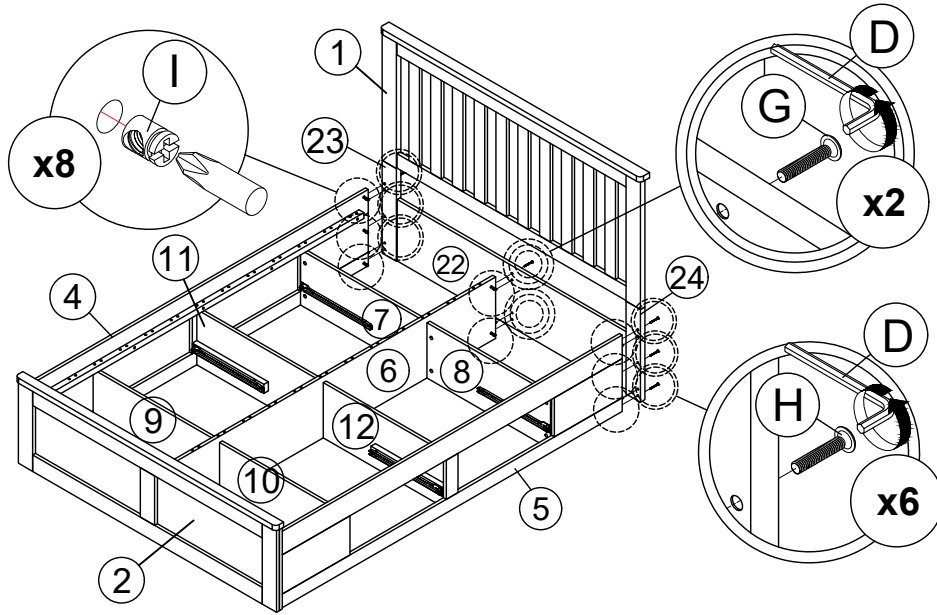
STEP 14



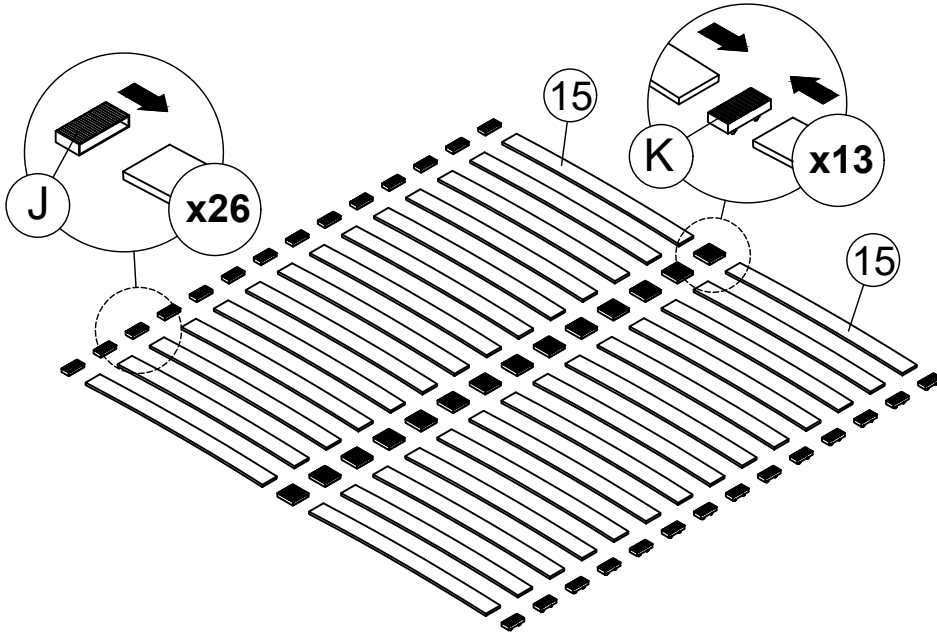
STEP 15



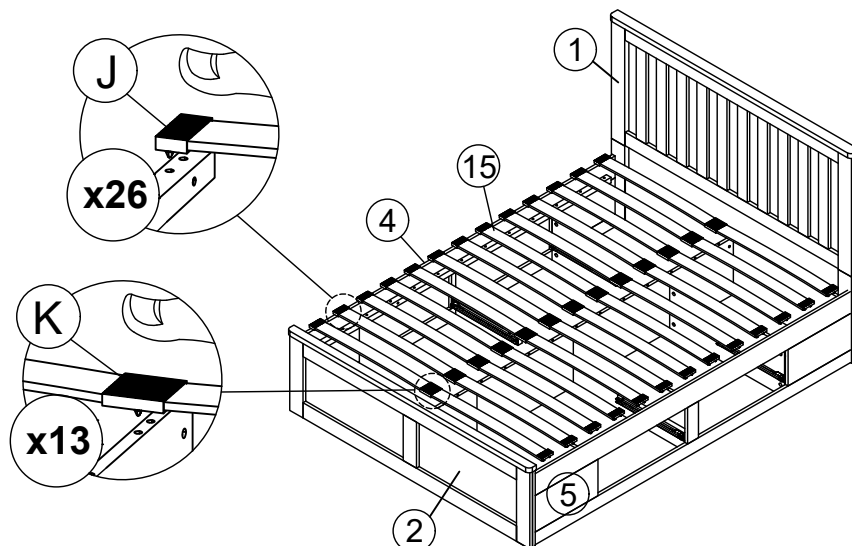
STEP 16



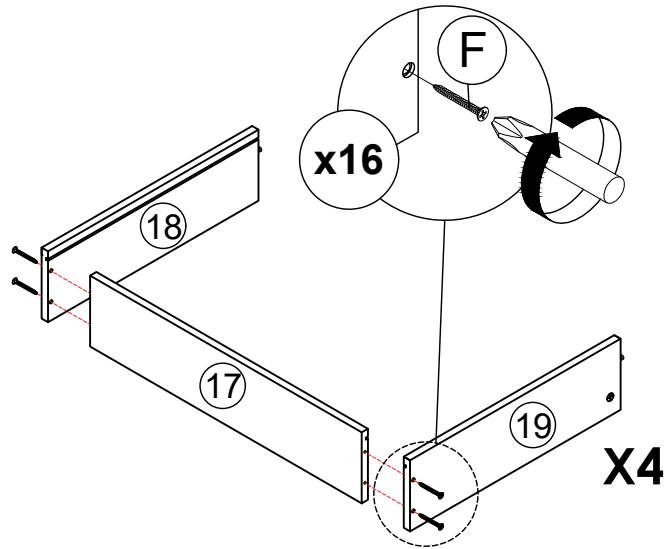
STEP 17



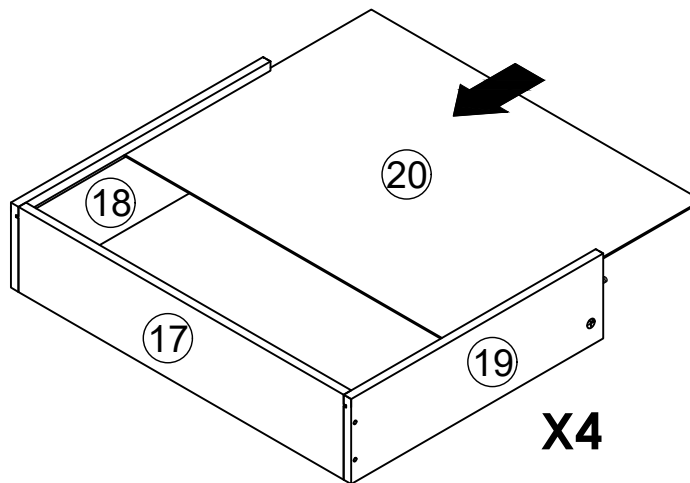
STEP 18



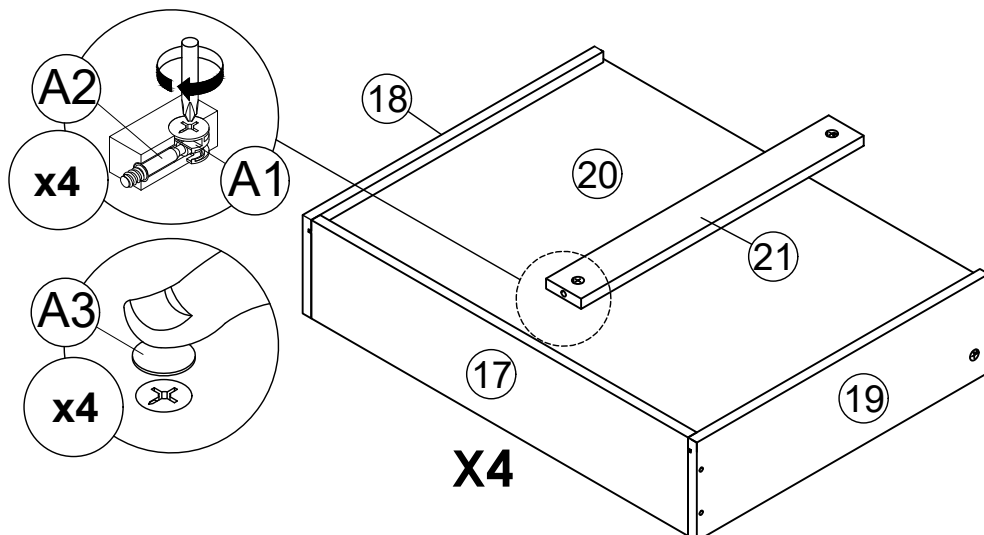
STEP 19



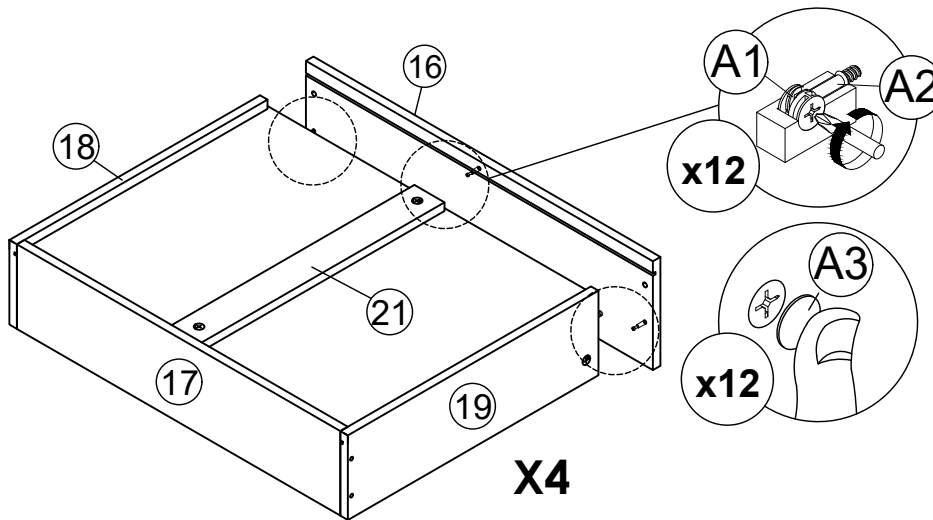
STEP 20



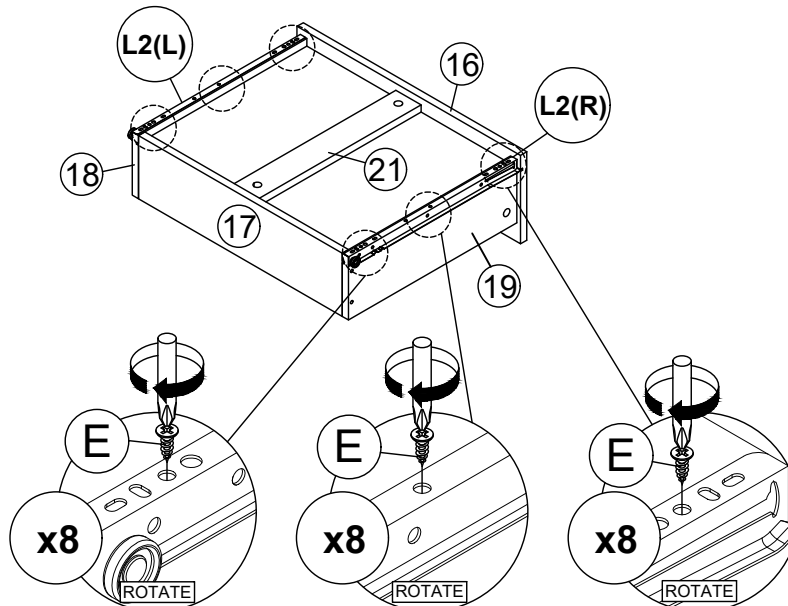
STEP 23



STEP 24



STEP 25



STEP 26

